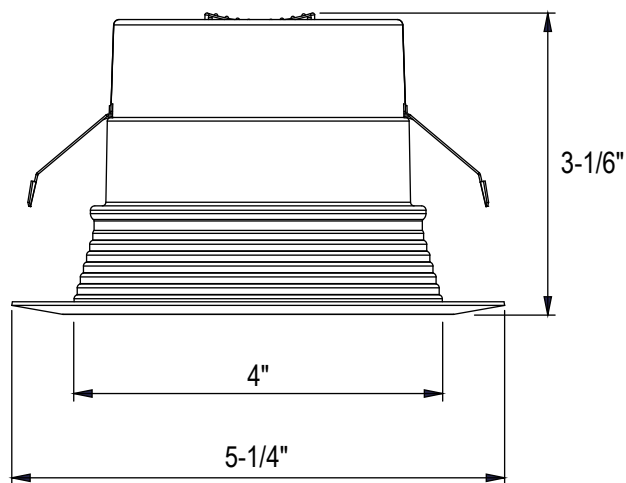


JUNO[®]**E Series LED Trim Kit**

4" Switchable White LED Downlight

4BE/4SE SWW5 Series**Dimensions**

Ships with:

**E26 Adapter**

| |
|----------------|
| Project: |
| Fixture Type: |
| Location: |
| Contact/Phone: |

Product Features

The 4" recessed LED downlight is the most economical means to create a well lit environment with exceptional energy efficiency and near zero maintenance. Great for retrofit into existing downlight cans or new construction and remodel applications. The LED downlight maintains at least 70% light output for 50,000 hours.

- 5 switchable white color temperatures to choose from via switch; 2700K, 3000K, 3500K, 4000K, 5000K CCT; 90 CRI
- Lumens: 700L
- Baffle or smooth trim options with designer color finish trim inserts (sold separately)

Applications

- Retrofit into existing downlight cans or new and remodel construction in residential and light commercial applications
- Retention clips are pre-installed and designed to fit into most 4" compatible recessed housings
- Wet rated and air-loc: perfect for showers, bathrooms, and outdoor soffits

Performance

| | |
|-----------------------|---|
| Delivered Lumens | Nominal 700L at 3000K |
| LED Color Temperature | Switchable White (2700K, 3000K, 3500K, 4000K, 5000K) Default set at 3000K |
| CRI | 90+ |
| Voltage | Dedicated 120V |
| Dimming | Dimmable flicker-free dimming from 100% to 10% |

For a list of compatible dimmers see [JUNOESERIES-DIM](#)

Specifications

| | |
|------------------|-------|
| Aperture: | 4" |
| Ceiling opening: | 4.25" |
| Overlap trim: | 5.25" |
| Height: | 3.16" |



E Series LED Trim Kit

4" Switchable White LED Downlight



ORDERING INFORMATION

Downlight

Example: 4BEMW SWW5 90CRI

| Series | Color Temperature | Rendering Index |
|---|--|----------------------|
| 4BEMW 4" Juno E Series Baffle Trim Kit | SWW5 Switchable White (2700K, 3000K, 3500K, 4000K, 5000K) | 90CRI 90+ CRI |
| 4SEMW 4" Juno E Series Smooth Trim Kit | | |

| Housing options : Order as separate catalog number. | |
|---|--|
| QC4 | Quick Connect 4" LED new construction downlight |
| QC4R | Quick Connect 4" LED Remodel Downlight |
| IC1 | 4" new construction housing |
| IC1FW LEDT24 | 4" fire-rated dedicated LED new construction housing |

Pairs perfectly with Juno housings for a complete downlight solution: Order housings as separate catalog number.

QC4 Series - New Construction Quick Connect LED Housing



QC4R Series - Remodel Quick Connect LED Housing



IC1FW LEDT24 - Firewall Fire Rated Quick Connect LED Housing



| Accessories: Order as separate catalog number. | |
|--|--|
| LEDRETROWHIP | Replacement E26 screw base adapter for installation into incandescent housings |



TRIM INSERTS

TRIM INSERTS (for field configuration; ordered separately)

Example: 4BEMB R4

| Series/Finish | Packaging |
|--|---------------------------|
| 4BEMB 4" Baffle, Matte Black | R4 Retail Pack of 4 units |
| 4BEBN 4" Baffle, Brush Nickel | |
| 4BEORB 4" Baffle, Oil-Rubbed Bronze | |
| 4SEMB 4" Smooth, Matte Black | |
| 4SEBN 4" Smooth, Brush Nickel | |
| 4SEORB 4" Smooth, Oil-Rubbed Bronze | |



4" Baffle, Matte Black (4BEMB)



4" Baffle, Brush Nickel (4BEBN)



4" Baffle, Oil-Rubbed Bronze (4BEORB)



4" Smooth, Matte Black (4SEMB)



4" Smooth, Brush Nickel (4SEBN)



4" Smooth, Oil-Rubbed Bronze (4SEORB)



Pre-Install color finish trim insert over white 4" E Series downlight.



Press down color finish tabs for post-installation to create final LED 4" downlight.



E Series LED Trim Kit

4" Switchable White LED Downlight



Specifications

LED Downlight Trim Kit

Aluminum spun reflector with deep regression for reduced glare • Inner reflector cone funnels light through the pressed-in diffused lens • All-in-one design where LED light engine mounts directly to trim for ease of installation into existing 4" or recessed housings with medium base sockets • Provided with retention clips.

LED Light Engine

LEDs are mounted directly to aluminum housing providing superior thermal management to ensure long life • Switchable white LED color temperature technology offers 2700K, 3000K, 3500K, 4000K, 5000K all in one trim • 90 CRI minimum • Accommodates 120 volts DC at 60Hz • Dimmable with most standard incandescent, magnetic low voltage and electronic low voltage dimmers • For a list of compatible dimmers, see [JUNOESERIES-DIM](#).

Electrical Connections

Trim features quick connect plug installed as standard for installation into LEDT24 housings with mating connector • Trim ships with a medium base socket adapter whip for installation into 4" incandescent housings with medium base sockets.

Optical System

Diffused lens at end of mixing chamber to provide even light distribution for general illumination • 700L is equivalent to 65W BR30 lamp.

Designer Color Finish Trim Inserts (sold separately)

Color Finish Trim inserts are accessory rings that attach to the 4BE/4SE downlight for a permanent finish. The finishes are available in Baffle or Smooth option:

- Black
- Brush Nickel
- Oil-Rubbed Bronze

Life

Rated for 50,000 hours at 70% lumen maintenance.

Labels

CSA certified to US and Canadian safety standards • ENERGY STAR® certified product • Suitable for wet location • Air-Loc certified in accordance with ASTM E283-2004 • NOM Certified • Can be used to comply with California Title 24 Part 6 High Efficacy LED light Source Requirements • T20 Certified.

Testing

All reports are based on published industry procedures; field performance may differ from laboratory performance.

Warranty 5-year limited warranty. This is the only warranty provided and no other statements in this specification sheet create any warranty of any kind. All other express and implied warranties are disclaimed. Complete warranty terms located at:

www.acuitybrands.com/support/warranty/terms-and-conditions

Note: Actual performance may differ as a result of end-user environment and application.

Specifications subject to change without notice.

PERFORMANCE DATA

| | 4BE/4SE |
|-----------------------|--|
| Input Voltage | 120V |
| Input Power Typical | 8.6W (+/-5%) |
| Power Factor | .9 |
| Frequency | 60 Hz |
| EMI/RFI | FCC Title 47, Part 15 Class B (consumer) |
| Minimum Starting Temp | -20°C (-4°F) minimum |

Note: Actual performance may differ as a result of end-user environment and application. All values are design or typical values, measured under laboratory conditions at 25°C.

4BEMW SWW5 90CRI M6

| LIGHTING PERFORMANCE DATA DONNÉES SUR LE RENDEMENT DE L'ÉCLAIRAGE | |
|---|-----|
| Light Appearance (CCT) Aspect de la lumière (CCT) | |
| 2700K soft white blanc doux | |
| 713 lumens 83 lumens per watt | |
| 3000K warm white blanc chaud | |
| 717 lumens 83 lumens per watt | |
| 3500K neutral white blanc neutre | |
| 722 lumens 84 lumens per watt | |
| 4000K cool white blanc froid | |
| 723 lumens 84 lumens per watt | |
| 5000K daylight blanc neutre | |
| 722 lumens 84 lumens per watt | |
| Watts | 8.6 |
| Color Accuracy (CRI) Précision des couleurs (CRI) | 90 |



E Series LED Trim Kit

4" Switchable White LED Downlight



PHOTOMETRICS

Distribution Curve

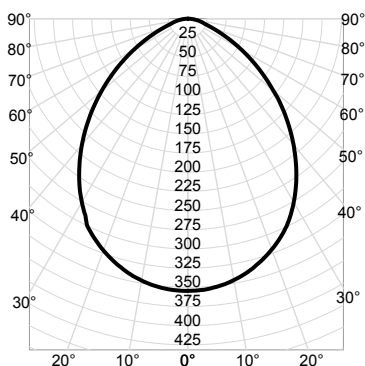
Distribution Data

Output Data

Coefficient of Utilization

Illuminance Data at 30" Above Floor for a Single Luminaire

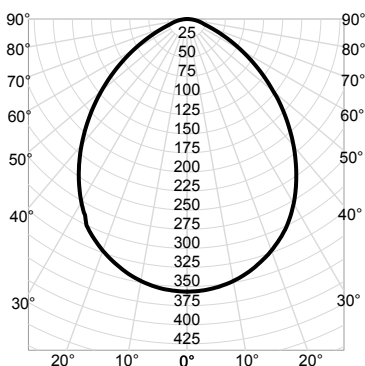
4BEMW SWW5 90CRI, 2700K, Input Watts: 8.8, Delivered Lumens: 753, LPW: 85.6, S/MH: 1.15



| CP Summary | Zonal Lumen Summary | | | | Coefficients of Utilization | | | | | | | | | | Cone of Light | | | Luminance (cd/sq.m) | |
|------------|---------------------|------------|--------|-----------|-----------------------------|-----|-----|-----|-----|-----|-----|-----|-----|-----------------|------------------------|---------------|------|---------------------|--------|
| | 0° | Zone | Lumens | % Fixture | pf | 80% | | 20% | | 70% | | 50% | | Mounting Height | Initial FC Center Beam | Beam Diameter | 0° | Average Luminance | |
| | | | | | | pc | 50% | 30% | 10% | 50% | 30% | 10% | 50% | | | | | | 30% |
| 0° | 355 | 0° - 30° | 267 | 35% | 0 | 119 | 119 | 119 | 116 | 116 | 116 | 110 | 110 | 110 | 6.0 | 9.9 | 12.2 | 0° | 70,545 |
| 5° | 353 | 0° - 40° | 420 | 56% | 1 | 106 | 103 | 99 | 104 | 101 | 98 | 99 | 97 | 94 | 8.0 | 5.5 | 16.3 | 45° | 50,826 |
| 15° | 335 | 0° - 60° | 660 | 88% | 2 | 95 | 89 | 84 | 93 | 87 | 83 | 89 | 84 | 81 | 10.0 | 3.5 | 20.3 | 55° | 38,840 |
| 25° | 301 | 0° - 90° | 742 | 99% | 3 | 84 | 77 | 72 | 83 | 76 | 71 | 80 | 74 | 70 | 12.0 | 2.5 | 24.4 | 65° | 24,945 |
| 35° | 247 | 90° - 180° | 10 | 1% | 4 | 76 | 68 | 62 | 75 | 67 | 62 | 72 | 66 | 61 | 14.0 | 1.8 | 28.4 | 75° | 15,765 |
| 45° | 181 | 0° - 180° | 753 | 100% | 5 | 69 | 60 | 54 | 67 | 60 | 54 | 65 | 59 | 53 | | | | 85° | 13,422 |
| 55° | 112 | | | | 6 | 62 | 54 | 48 | 61 | 54 | 48 | 59 | 53 | 47 | | | | | |
| 65° | 53 | | | | 7 | 57 | 49 | 43 | 56 | 48 | 43 | 54 | 48 | 43 | | | | | |
| 75° | 21 | | | | 8 | 52 | 44 | 39 | 51 | 44 | 39 | 50 | 43 | 38 | | | | | |
| 85° | 6 | | | | 9 | 48 | 40 | 35 | 48 | 40 | 35 | 46 | 40 | 35 | | | | | |
| 90° | 0 | | | | 10 | 45 | 37 | 32 | 44 | 37 | 32 | 43 | 36 | 32 | | | | | |

Beam Angle: 90.9°
Field Angle: 137.8°

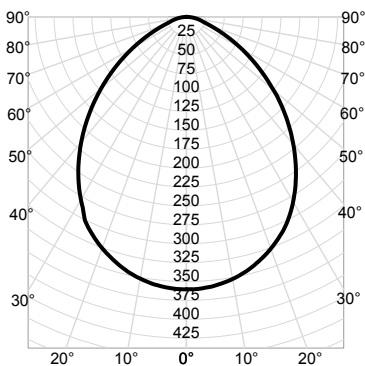
4BEMW SWW5 90CRI, 3000K, Input Watts: 8.8, Delivered Lumens: 757, LPW: 86.0, S/MH: 1.17



| CP Summary | Zonal Lumen Summary | | | | Coefficients of Utilization | | | | | | | | | | Cone of Light | | | Luminance (cd/sq.m) | |
|------------|---------------------|------------|--------|-----------|-----------------------------|-----|-----|-----|-----|-----|-----|-----|-----|-----------------|------------------------|---------------|------|---------------------|--------|
| | 0° | Zone | Lumens | % Fixture | pf | 80% | | 20% | | 70% | | 50% | | Mounting Height | Initial FC Center Beam | Beam Diameter | 0° | Average Luminance | |
| | | | | | | pc | 50% | 30% | 10% | 50% | 30% | 10% | 50% | | | | | | 30% |
| 0° | 357 | 0° - 30° | 268 | 35% | 0 | 119 | 119 | 119 | 116 | 116 | 116 | 110 | 110 | 110 | 6.0 | 9.9 | 12.2 | 0° | 70,949 |
| 5° | 354 | 0° - 40° | 423 | 56% | 1 | 106 | 103 | 99 | 104 | 101 | 98 | 99 | 97 | 94 | 8.0 | 5.6 | 16.3 | 45° | 51,459 |
| 15° | 337 | 0° - 60° | 664 | 88% | 2 | 95 | 89 | 84 | 93 | 87 | 83 | 89 | 84 | 81 | 10.0 | 3.6 | 20.3 | 55° | 39,499 |
| 25° | 304 | 0° - 90° | 746 | 99% | 3 | 84 | 77 | 72 | 83 | 76 | 71 | 80 | 74 | 70 | 12.0 | 2.5 | 24.4 | 65° | 25,514 |
| 35° | 249 | 90° - 180° | 10 | 1% | 4 | 76 | 68 | 62 | 75 | 67 | 62 | 72 | 66 | 61 | 14.0 | 1.8 | 28.5 | 75° | 16,027 |
| 45° | 183 | 0° - 180° | 757 | 100% | 5 | 69 | 60 | 54 | 67 | 60 | 54 | 65 | 59 | 53 | | | | 85° | 14,152 |
| 55° | 114 | | | | 6 | 62 | 54 | 48 | 61 | 54 | 48 | 59 | 53 | 47 | | | | | |
| 65° | 54 | | | | 7 | 57 | 49 | 43 | 56 | 48 | 43 | 54 | 48 | 43 | | | | | |
| 75° | 21 | | | | 8 | 52 | 44 | 39 | 51 | 44 | 39 | 50 | 43 | 38 | | | | | |
| 85° | 6 | | | | 9 | 48 | 40 | 35 | 48 | 40 | 35 | 46 | 40 | 35 | | | | | |
| 90° | 0 | | | | 10 | 45 | 37 | 32 | 44 | 37 | 32 | 43 | 36 | 32 | | | | | |

Beam Angle: 91.0°
Field Angle: 138.1°

4BEMW SWW5 90CRI, 3500K, Input Watts: 8.8, Delivered Lumens: 766, LPW: 87.0, S/MH: 1.17



| CP Summary | Zonal Lumen Summary | | | | Coefficients of Utilization | | | | | | | | | | Cone of Light | | | Luminance (cd/sq.m) | |
|------------|---------------------|------------|--------|-----------|-----------------------------|-----|-----|-----|-----|-----|-----|-----|-----|-----------------|------------------------|---------------|------|---------------------|--------|
| | 0° | Zone | Lumens | % Fixture | pf | 80% | | 20% | | 70% | | 50% | | Mounting Height | Initial FC Center Beam | Beam Diameter | 0° | Average Luminance | |
| | | | | | | pc | 50% | 30% | 10% | 50% | 30% | 10% | 50% | | | | | | 30% |
| 0° | 360 | 0° - 30° | 271 | 35% | 0 | 119 | 119 | 119 | 116 | 116 | 116 | 110 | 110 | 110 | 6.0 | 10.0 | 12.2 | 0° | 71,687 |
| 5° | 359 | 0° - 40° | 428 | 56% | 1 | 106 | 103 | 99 | 104 | 101 | 98 | 99 | 97 | 94 | 8.0 | 5.6 | 16.3 | 45° | 52,300 |
| 15° | 341 | 0° - 60° | 672 | 88% | 2 | 95 | 89 | 84 | 93 | 87 | 83 | 89 | 84 | 81 | 10.0 | 3.6 | 20.4 | 55° | 40,193 |
| 25° | 308 | 0° - 90° | 755 | 99% | 3 | 84 | 77 | 72 | 83 | 76 | 71 | 80 | 74 | 69 | 12.0 | 2.5 | 24.4 | 65° | 26,079 |
| 35° | 253 | 90° - 180° | 11 | 1% | 4 | 76 | 68 | 62 | 74 | 67 | 62 | 72 | 66 | 61 | 14.0 | 1.8 | 28.5 | 75° | 16,334 |
| 45° | 186 | 0° - 180° | 766 | 100% | 5 | 69 | 60 | 54 | 67 | 60 | 54 | 65 | 58 | 53 | | | | 85° | 14,586 |
| 55° | 116 | | | | 6 | 62 | 54 | 48 | 61 | 54 | 48 | 59 | 53 | 47 | | | | | |
| 65° | 55 | | | | 7 | 57 | 49 | 43 | 56 | 48 | 43 | 54 | 48 | 43 | | | | | |
| 75° | 21 | | | | 8 | 52 | 44 | 39 | 51 | 44 | 39 | 50 | 43 | 38 | | | | | |
| 85° | 6 | | | | 9 | 48 | 40 | 35 | 47 | 40 | 35 | 46 | 40 | 35 | | | | | |
| 90° | 0 | | | | 10 | 45 | 37 | 32 | 44 | 37 | 32 | 43 | 36 | 32 | | | | | |

Beam Angle: 91.0°
Field Angle: 137.5°



E Series LED Trim Kit

4" Switchable White LED Downlight



PHOTOMETRICS

Distribution Curve

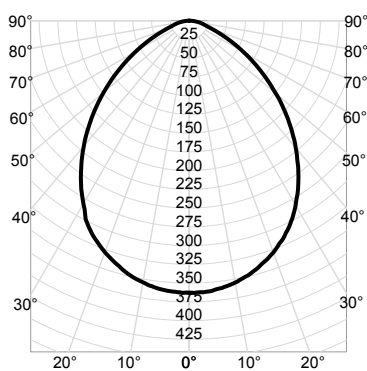
Distribution Data

Output Data

Coefficient of Utilization

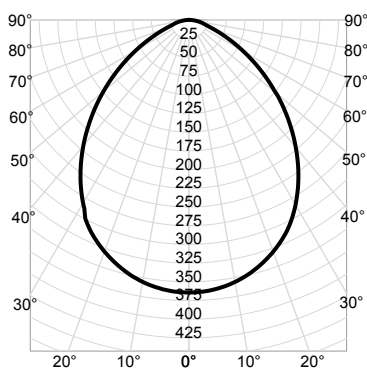
Illuminance Data at 30" Above Floor for a Single Luminaire

4BEMW SWW5 90CRI, 4000K, Input Watts: 8.9, Delivered Lumens: 772, LPW: 86.7, S/MH: 1.17



| CP Summary | | Zonal Lumen Summary | | Coefficients of Utilization | | | | | | | | Cone of Light | | | Luminance (cd/sq.m) | | |
|------------|------|---------------------|-----------|-----------------------------|-----|-----|-----|-----|-----|-----|-----|---------------|-----------------|------------------------|---------------------|-------------------|---------------------|
| 0° | Zone | Lumens | % Fixture | pf | 80% | | 20% | | 70% | | 50% | | Mounting Height | Initial FC Center Beam | Beam Diameter | Average Luminance | |
| | | | | pc | 50% | 30% | 10% | 50% | 30% | 10% | 50% | 30% | | | | | |
| 0° | 363 | 0° - 30° | 273 | 35% | 0 | 119 | 119 | 119 | 116 | 116 | 116 | 110 | 110 | 6.0 | 10.1 | 12.2 | 0° 72,232 |
| 5° | 361 | 0° - 40° | 431 | 56% | 1 | 106 | 103 | 99 | 104 | 101 | 98 | 99 | 97 | 8.0 | 5.7 | 16.3 | 45° 52,640 |
| 15° | 344 | 0° - 60° | 677 | 88% | 2 | 95 | 89 | 84 | 93 | 87 | 83 | 89 | 84 | 10.0 | 3.6 | 20.4 | 55° 40,356 |
| 25° | 309 | 0° - 90° | 761 | 99% | 3 | 84 | 77 | 72 | 83 | 76 | 71 | 80 | 74 | 12.0 | 2.5 | 24.4 | 65° 26,168 |
| 35° | 254 | 90° - 180° | 11 | 1% | 4 | 76 | 68 | 62 | 74 | 67 | 62 | 72 | 66 | 14.0 | 1.9 | 28.5 | 75° 16,411 |
| 45° | 187 | 0° - 180° | 772 | 100% | 5 | 69 | 60 | 54 | 67 | 60 | 54 | 65 | 58 | | | | 85° 14,517 |
| 55° | 116 | | | | 6 | 62 | 54 | 48 | 61 | 54 | 48 | 59 | 53 | | | | |
| 65° | 56 | | | | 7 | 57 | 49 | 43 | 56 | 48 | 43 | 54 | 48 | | | | Beam Angle: 91.0° |
| 75° | 21 | | | | 8 | 52 | 44 | 39 | 51 | 44 | 39 | 50 | 43 | | | | Field Angle: 138.6° |
| 85° | 6 | | | | 9 | 48 | 40 | 35 | 47 | 40 | 35 | 46 | 40 | | | | |
| 90° | 0 | | | | 10 | 45 | 37 | 32 | 44 | 37 | 32 | 43 | 36 | | | | |

4BEMW SWW5 90CRI, 5000K, Input Watts: 8.9, Delivered Lumens: 775, LPW: 87.1, S/MH: 1.17



| CP Summary | | Zonal Lumen Summary | | Coefficients of Utilization | | | | | | | | Cone of Light | | | Luminance (cd/sq.m) | | |
|------------|------|---------------------|-----------|-----------------------------|-----|-----|-----|-----|-----|-----|-----|---------------|-----------------|------------------------|---------------------|-------------------|---------------------|
| 0° | Zone | Lumens | % Fixture | pf | 80% | | 20% | | 70% | | 50% | | Mounting Height | Initial FC Center Beam | Beam Diameter | Average Luminance | |
| | | | | pc | 50% | 30% | 10% | 50% | 30% | 10% | 50% | 30% | | | | | |
| 0° | 364 | 0° - 30° | 274 | 35% | 0 | 119 | 119 | 119 | 116 | 116 | 116 | 110 | 110 | 6.0 | 10.1 | 12.2 | 0° 72,489 |
| 5° | 362 | 0° - 40° | 432 | 56% | 1 | 106 | 103 | 99 | 104 | 101 | 98 | 99 | 97 | 8.0 | 5.7 | 16.3 | 45° 52,868 |
| 15° | 345 | 0° - 60° | 680 | 88% | 2 | 95 | 89 | 84 | 93 | 87 | 83 | 89 | 84 | 10.0 | 3.6 | 20.4 | 55° 40,623 |
| 25° | 311 | 0° - 90° | 765 | 99% | 3 | 84 | 77 | 72 | 83 | 76 | 71 | 80 | 74 | 12.0 | 2.5 | 24.5 | 65° 26,319 |
| 35° | 255 | 90° - 180° | 11 | 1% | 4 | 76 | 68 | 62 | 74 | 67 | 62 | 72 | 66 | 14.0 | 1.9 | 28.5 | 75° 16,495 |
| 45° | 188 | 0° - 180° | 775 | 100% | 5 | 69 | 60 | 54 | 67 | 60 | 54 | 65 | 58 | | | | 85° 14,586 |
| 55° | 117 | | | | 6 | 62 | 54 | 48 | 61 | 54 | 48 | 59 | 53 | | | | |
| 65° | 56 | | | | 7 | 57 | 49 | 43 | 56 | 48 | 43 | 54 | 47 | | | | Beam Angle: 91.1° |
| 75° | 21 | | | | 8 | 52 | 44 | 39 | 51 | 44 | 39 | 50 | 43 | | | | Field Angle: 140.1° |
| 85° | 6 | | | | 9 | 48 | 40 | 35 | 47 | 40 | 35 | 46 | 40 | | | | |
| 90° | 0 | | | | 10 | 45 | 37 | 32 | 44 | 37 | 32 | 43 | 36 | | | | |